

# 30x IR 2MP Full HD Network PTZ

## SPSD-N3020C-IR



**Weather Proof - IP66**

### Key Features

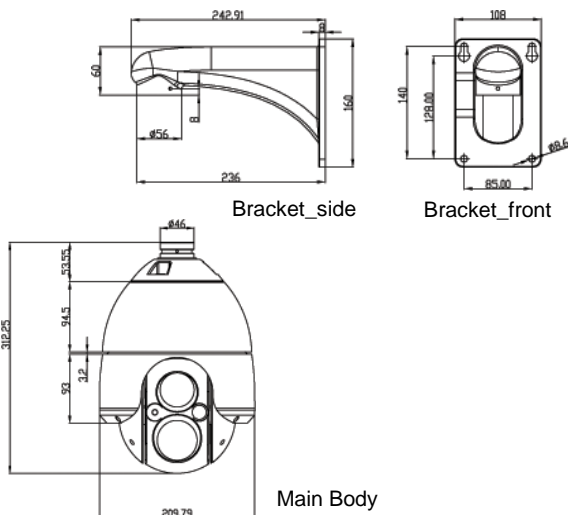
- 1/3" 2 Megapixel CMOS Sensor
- x960 Zoom (Optical x30 / Digital x32)
- Intelligent Vari focal IR (Infra Red) LED Control
- True Day & Night with ICR (IR Cut Filter)
- 1280X720p resolution at 60FPS
- 1920x1080p resolution at 30FPS
- Multi-codec support : H.264 / MJPEG
- Multi-stream with variable resolution & frame
- 1st stream : H.264 / MJPEG @ up to 1080p
- 2nd stream : H.264 / MJPEG / MPEG4 @ up to D1
- 3rd stream : H.264 / MJPEG / MPEG4 @ up to CIF
- Stream based motion detection
- Multi-codec audio support : G.711 / G.726
- Two-way audio supported (Full Duplex)
- Alarm Input (1ch) / Alarm Output (1ch)
- SD / SDHC card support
- Power : DC 12V / 3A

### Technical Specifications

Items	Specification	
Image & PTZ mechanism	Device	1/3" 2MP CMOS Sensor
	S/N Ratio	50dB(AGC Off)
	Focus / Zoom	Auto/Manual Focus, x30 Optical Zoom, x32 Digital Zoom
	Zoom Speed	2.3 sec( Wide to Tele)
	Focal Length	f = 4.3mm - 129 mm
	F No.	F1.6 ( Wide) - F4.7(Tele)
	Min. Illumination	Color: 0.5 lux(1/30 sec, 50 IRE), IR Mode : 0 Lux
	Angle of View	55.4°(Wide) - 2.9°(Tele)
	Day & Night	Auto / Day / Night (ICR)
	Function	Exposure Mode (Auto / Iris P. / Shutter P. / Manual ) White Balance (Auto / One Push / Manual/ Indoor / Outdoor ), DSS , HLC , ACE , BLC (WDR/BLC) Privacy Mask (24 Masks) DNR ( OFF/ Low / Middle / High) Motion Detection ( 4 Positions)
	Mechanism	Pan/Tilt speed: 0.05 - 240°/sec Rotation Angle: Pan 360° (endless), Tilt:90° 64 Preset Positions, 4 Patterns
	IR	IR Source (Vari-focal IR III Generation), Wave Length (850 nm) Distance (150 M), Angle (7 - 40° (Zoom Proportional))
Video Compression	Compression Type	H.264(MPEG4 AVC) / MPEG-4 / MJPEG
	Resolutions	1080p / 720p / D1 / 4CIF / VGA / CIF / QVGA / QCIF
	Bitrate / FPS	32Kbps - 6Mbps / 30FPS @ 1920x1080p, 60FPS @ 1280X720p
	Streaming	H.264 Triple Stream or Simultaneous H.264, MPEG-4 and MJPEG
Audio Streaming	Bi-Directional Audio	Two way , full duplex
	Audio Compression	G.711 / G.726
	Audio Line Input	Line level input. Nominal 0-dB input level is 1.0 VRMS.
	Audio Line Output	Line level output. Nominal output level 1.0 VRMS.
External I/O	Local Storage	Micro SD / SDHC Card support up to 16 GB
	Reset Button	Restore to default setting (Network, Password and etc)
	Alarm Input / Output	1 ch / 1 ch
Network	Ethernet	Ethernet(10/100/1000 Based-T), RJ-45 Connector
	Protocol	TCP, IP, HTTP, DHCP, FTP, DNS, DDNS, NTP, ICMP, SNMP, SMTP, UPnP, RTP, RTSP, Onvif
Software	Web Browser	IE 8.0 or above
	SDK	Cellnix SDK 4.0
	Security	MD5 Password / iptables (firewall) / SSL
Operating	Temperature	-20°C - 60°C / 4°F - 140°F
Power	Power Requirement	DC12V, 3A
	Installation	Wall / Ceiling Mount,
Physical	Dimension / Weight	210(Ø)x260(H)mm / 6.5kg
Case	Material	Body : Aluminum, Plastic (Weatherproof - IP 66)

All specifications are subject to change without notice

### Dimensions (mm)



### Configuration Example

